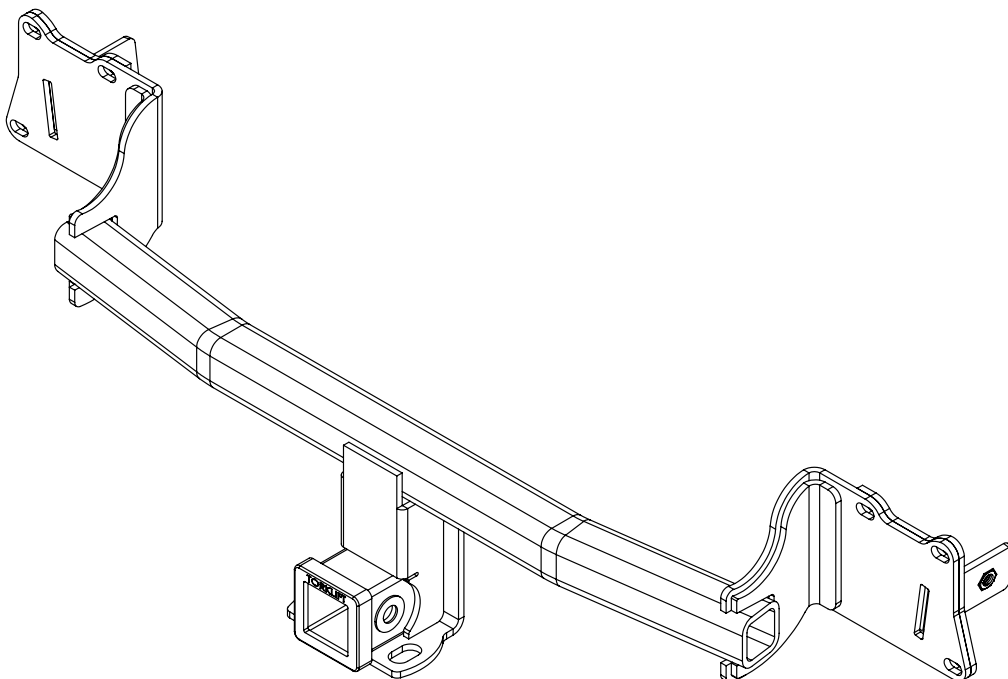


ecoHITCH -Designed Specifically For Your **Green Vehicle**

Installation Instructions

Application Fits
2010-2014 Jetta Sportwagen
X7284 & X7285

2" & 1.25" Stealth EcoHitch
200 lbs Tongue Weight/ 2,000 lbs Towing Weight



Torklift Central
315 Central Ave N
Kent, WA 98032
253-854-1832
www.torkliftcentral.com
support@tlcentral.com

Stay Connected



Bolt Kit Weight: 270g +/-

Hardware Included

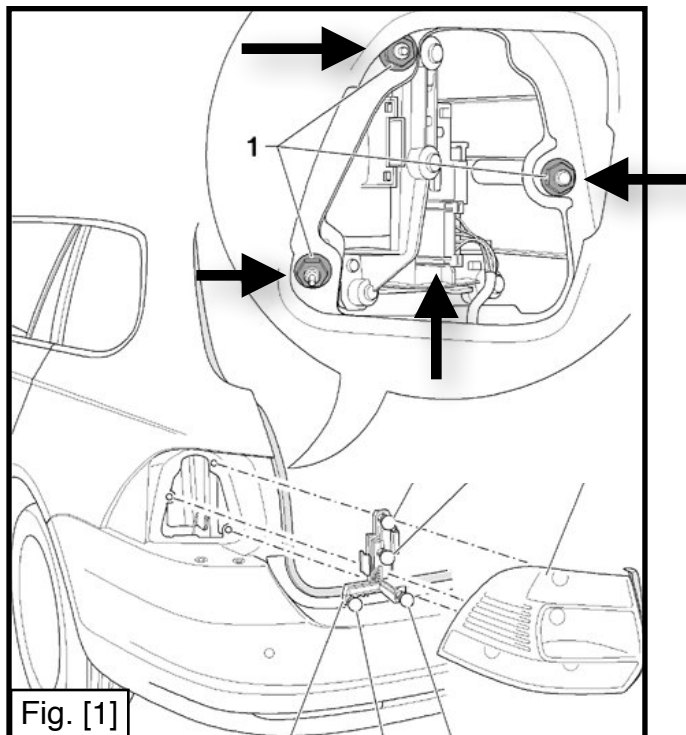
QTY Fastener

- 5 5/16" Flat Washer
- 7 5/16" Lock Washer
- 2 7/16" Flat Washer
- 2 7/16" Lock Washer
- 2 7/16"-14 x 1" Gr.5 Hex Cap Screw
- 2 M8-1.25 Hex Nut
- 5 M8-1.25 x 50mm Hex Cap Screw Fully Threaded
- 2 Spacer Plate
- 1 18" Trim-Lok

READ THESE INSTRUCTIONS THOROUGHLY AND ACCOUNT FOR ALL HARDWARE LISTED BEFORE BEGINNING INSTALLATION!

Step 1. Raise vehicle on suitable jack stands, ramps, or hoist.

Step 2. Open rear trunk hatch and remove tail light assemblies located behind an access panel. Disconnect the wire harness and remove the nuts securing the assemblies to the vehicle. See Figure [1].



Step 3. Remove the bumper fascia. Start by removing (4) Torx screws at location 3. Next remove (2) push pin clips from location 4. Remove (6) screws from location 8 on the driver and passenger side. Finally remove the (5) remaining bolts at locations 5 and 6. Once all fasteners have been removed, slide the bumper fascia rearward away from the vehicle starting at location 1. Once the bumper has been removed set it aside gently to avoid scratching.

See Figure [2].

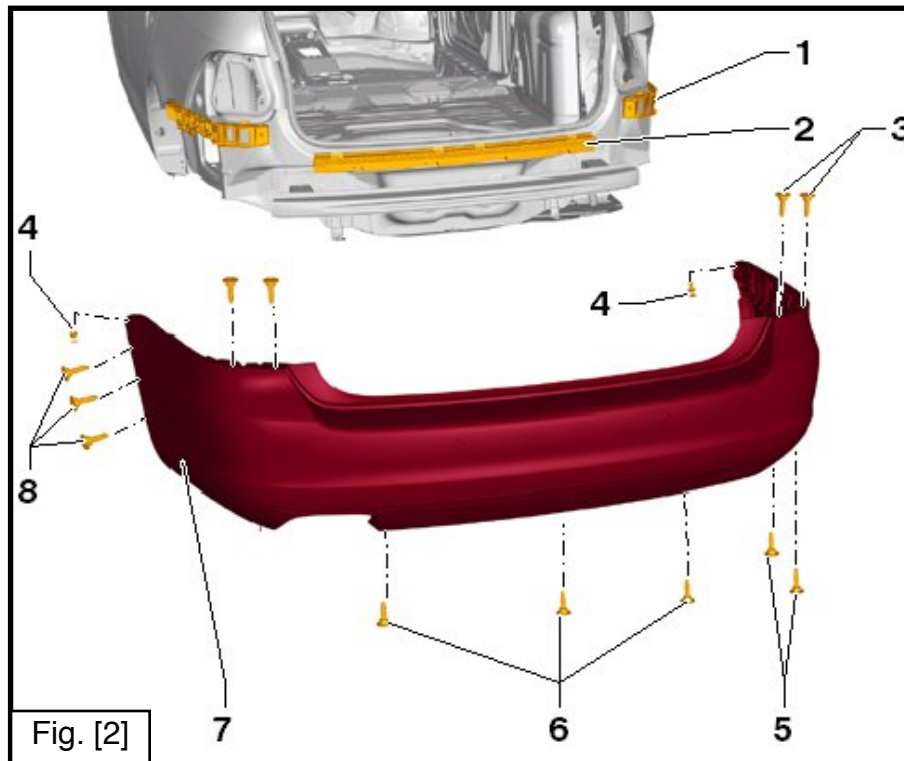


Fig. [2]

Step 4. Discard the foam piece on the impact bar and then remove the impact bar. Flatten the tabs of the impact bar as shown in Figure [3] & [4] before reinstalling in a later step.



Fig. [3]



Fig. [4]

Step 5. Lower the exhaust using a by lubricating the rubber exhaust bungs with WD-40 or equivalent lubricant. Use a stand or wood block to support the exhaust. Remove the press-on nut to bend the exhaust heat shield out of position. See Figure [5]. **WARNING: Do not let exhaust hang freely!**

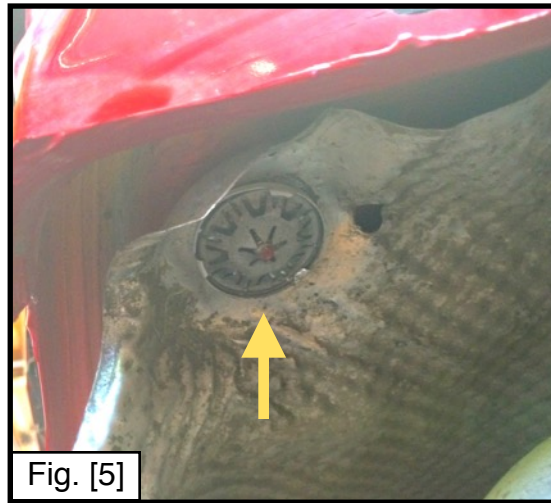


Fig. [5]

Step 6. Install (1) M8 hanging bolt with (1) 5/16" lock washer by threading it into the lower outside factory weld nuts from the forward side and tightening until the lock washer is crushed. See Figure [6] for reference. Repeat on opposite side.

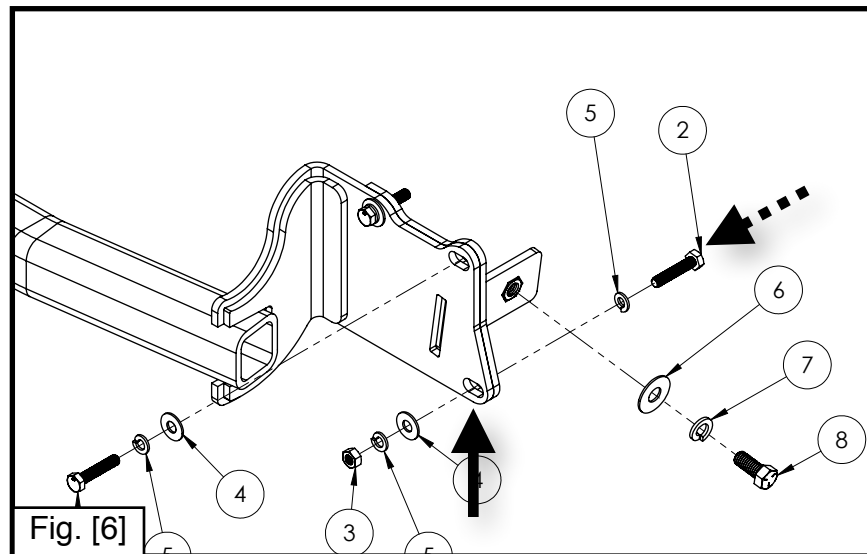


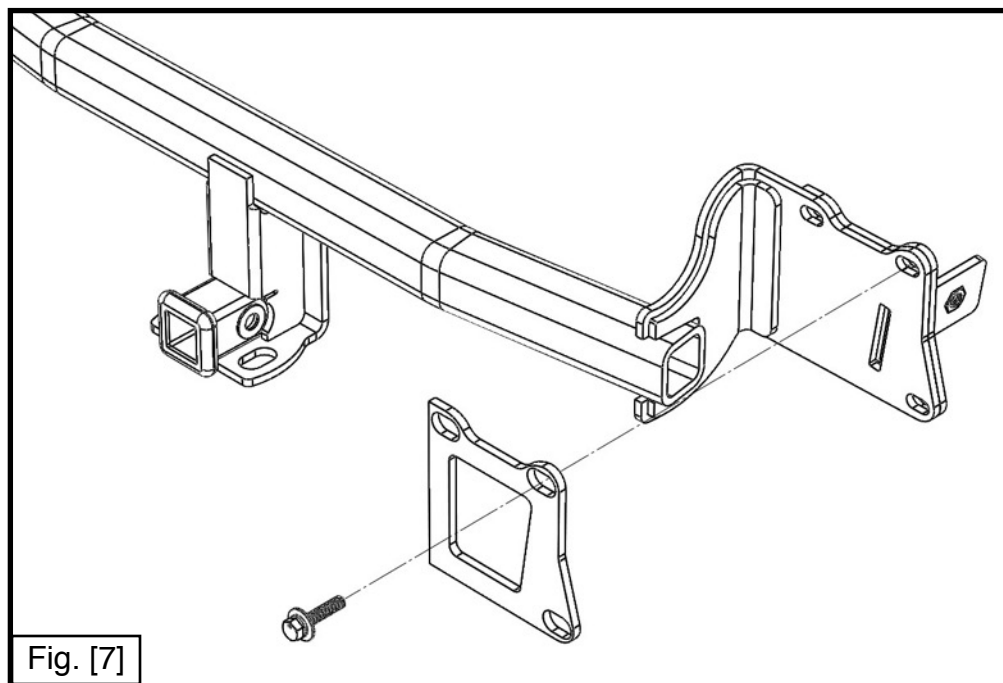
Fig. [6]

Step 7. Place the hitch onto the hanging bolts and then place the impact bar over the hitch frame plates and secure with (1) 5/16" flat washer, (1) 5/16" lock washer, and (1) M8 hex nut. Repeat on last hanging bolt. Next thread (1) M8-1.25 x 40mm hex cap screw with (1) 5/16" lock washer and (1) 5/16" flat washer into the two weld nuts on the passenger side and the one weld nut on the driver side. See Figure [6].

Torque all M8 hardware to 17ft-lbs.

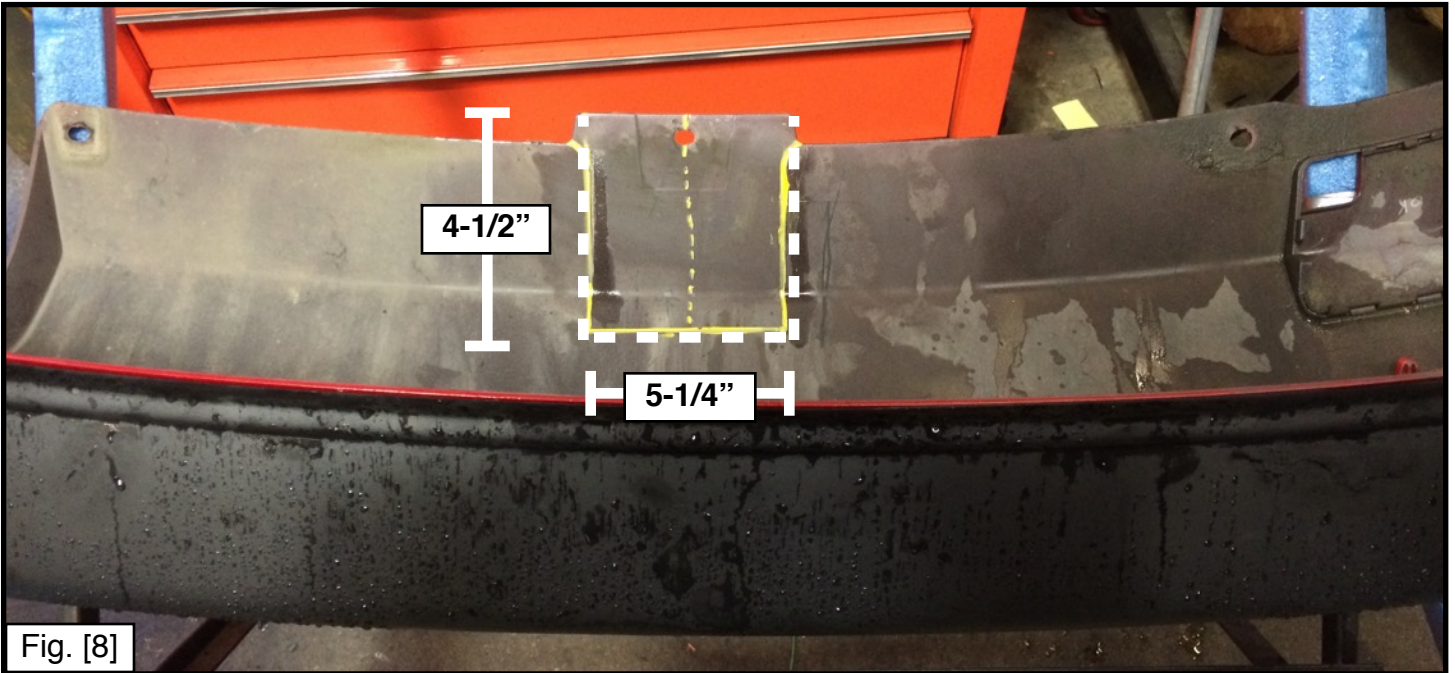
NOTE: It may be helpful on some vehicles to torque the M8 hardware so the hitch plates sit flush with the vehicle before moving to the next step.

ATTENTION: Some models of the Jetta Sportwagen have been found to have manufacturing differences causing clearance issues between the impact bar and the hitch plates. The hitch and impact bar assembly may not sit flush as designed. If this is the case with your vehicle, place the hitch onto the hanging bolts then place the supplied 1/4" spacer, followed by the impact bar. Secure the hitch and impact bar assembly following Step 7 then remove the outside hanging bolts and thread through the face of the impact bar/hitch assembly with (1) 5/16" lock washer and (1) 5/16" flat washer. Discard the (2) extra 5/16" lock washers used in Step 6. See Figure [7] for Spacer Plate placement.



Step 8. Thread (1) 7/16" x 1" hex cap screw with (1) 7/16" lock washer and (1) 7/16" flat washer into the side of the frame plate as shown in Figure [6]. Repeat on opposite side and torque to 33ft-lbs.

Step 9. Mark and trim a 4-1/2" x 5-1/4" square at the center of the bumper fascia. Apply the Trim-Lok to the cut edges and trim the excess. See Figure [8].



Step 10. Reinstall the bumper, exhaust, and tail light assemblies by following these directions in reverse starting at Step 5.

Congratulations on the completed installation of the Volkswagen Jetta Sportwagen Stealth EcoHitch! It is designed with a lifetime warranty for a lifetime of enjoyment. If you have any questions or suggestions please contact our tech support at support@tlcentral.com or by phone at (253)-854-1832.



WARRANTY/DISCLAIMER INFORMATION

Torklift Central requires proof of purchase for warranty claim registration, with pictures of any defective product before issuing a replacement. Torklift will not accept claims on any product without proof of purchase, which can be faxed, scanned, emailed or mailed to the information provided below. Torklift Central warrants its hitches, custom hitch receivers and accessories (excluding electrical wire harnesses which carry a warranty from their specified manufacturer) from date of purchase against defects in material and workmanship under normal use and service for the ownership life of the original consumer purchaser. Torklift Central will replace free of charge any part that proves defective in material or workmanship when presented to Torklift Central, transportation charges prepaid by purchaser, at the address below. **This warranty is limited to defective parts replacement only. Labor charges and/or damage incurred in installation or replacement, as well as incidental and consequential damages connected therewith are excluded.** This warranty does not include normal wear and tear or the finish and paint. Rusting, cracking or peeling of the finish is also excluded. Some states do not allow the exclusion or limitation of incidental or consequential damages, so the above limitation or exclusion may not apply to you. Any damage to Torklift Central products as a result of misuse, abuse, neglect, accident, improper installation or any use violative of instructions furnished by Torklift Central will void the warranty. This warranty gives you specific legal rights and you may also have rights, which vary from state to state. With warranty service, you may be able to go to a small claims court, a state court or a federal district court.

Although Torklift Central trailer hitches are both tested and rated for towing within the specific capacity label found on each trailer hitch. Torklift Central assumes no liability for vehicle manufacturers warranty due to the use of a Torklift Central trailer hitch being used for towing behind any vehicle or using the trailer hitch in a manner that it was not designed for. Although this specific trailer hitch has a load rating, which includes trailer tongue weight, and a trailer weight carrying capacity, Torklift Central is not responsible for the voiding of any warranty on any vehicle due to factory towing limitations. All vehicle warranties are the sole property and responsibility of the owner of the vehicle that the Torklift Central trailer hitch is installed upon. Torklift Central does not endorse towing behind any vehicle if the vehicles manufacturer states that towing is not recommended. Check your vehicle's owner's manual for the proper tow rating of your vehicle.

ADDRESS: 315 Central Ave N. Kent, WA 98032

WARNING Your vehicle may have a lower tow rating than this trailer hitch. If your vehicle's tow rating is less than the rated towing capacity on your Torklift Central trailer hitch, your trailer hitch capacity is limited to your vehicle's factory rated towing capacity.

FOR EXAMPLE: the label on your Torklift Central trailer hitch states it's capacity is rated for 500 pounds tongue weight and 5,000 pounds towing weight. However your vehicle's factory rated towing capacity is limited to only 350 pounds tongue weight and 3,500 pounds towing weight. In this example your maximum towing capacity of your Torklift Central trailer hitch is limited to 350 pounds tongue weight and 3,500 pounds towing weight as stated by your vehicle's maximum factory tow rating.

DANGER Never exceed your vehicle's manufacturer's recommended towing capacity which may be a lower rating than this trailer hitch

Unsure of your tow rating? Download our towing app from the app store to find your vehicles tow rating.
www.torkliftcentral.com/app.php